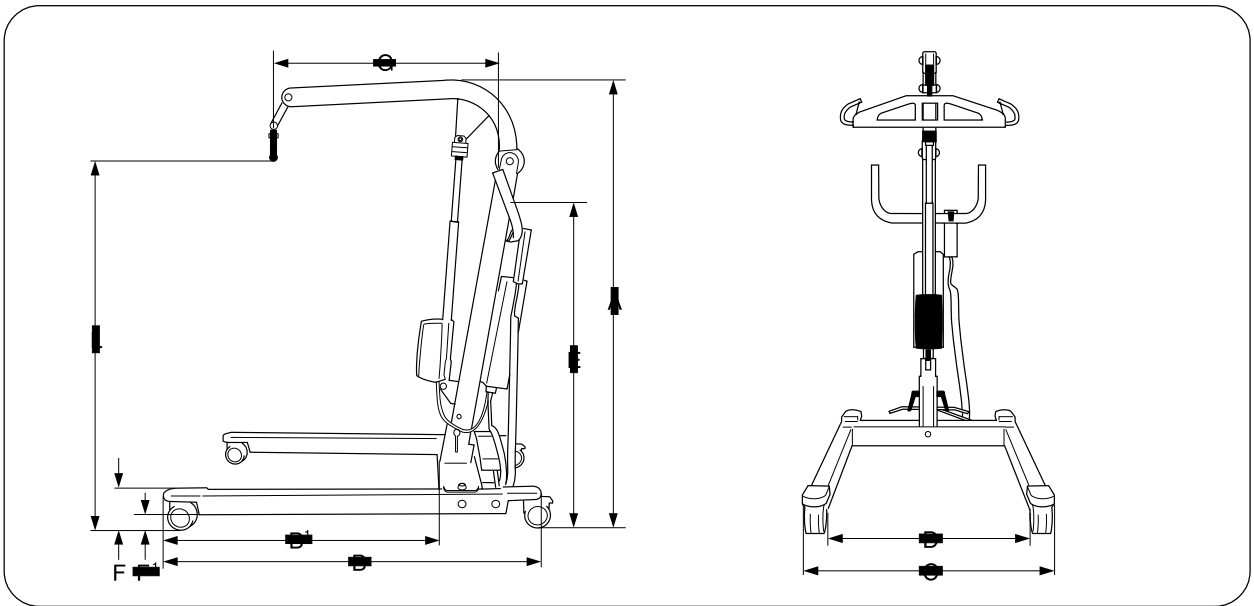


# Liko Light- Capacities and Dimensions



Model	Capacity	L		A		B	B'	C	D	E	F	F'	G		Weight Total	Turning Area
		Max	Min	Max	Min								Max	Min		
LikoLight	308	62	10	69	46	44	32	26-42	21-38	39	4.5	1	29	20	51	51

*Weights in lbs. and measurements in inches.*